

# O411



## SHIM FOR O400-40 HINGE

**Material:**  
Reinforced polyamide.  
Oils and greases resistant.

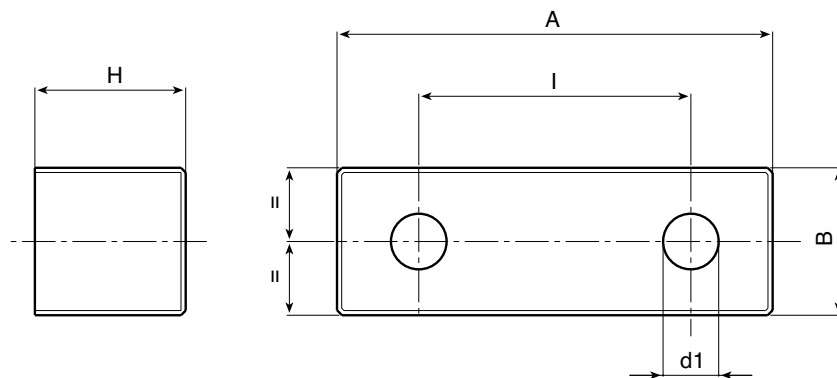
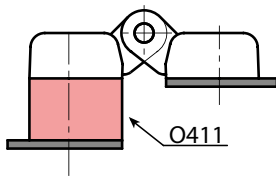
**Surface:**  
Satin.

**Colour:**  
Black (RAL 9011).

**Hole:**  
Right through smooth hole obtained by moulding the plastic.

### SPECIAL REQUESTS:

- It is possible to supply colours as shown in the table on page O-19, on request and for quantities.



	art.	I	A	B	H	d1	g
●	O41140.TG08,501	40	65	22	22,5	8,5	24

Presumable presence in the stock in %

90% ● 40% ● 5% ●