

O500 NEW



REMOVABLE FLAT ZAMAK HINGE WITH THREADED STUD

Materiale:

(1) Die-cast zamak alloy (zinc, aluminium and copper alloy).

Surface finish:

Smooth.

Colour:

(01) Black epoxy powder coated, (RAL 9011).

(Z) Standard blue galvanising.

Inserts:

(2) Galvanised steel threaded stud, (thread tolerance 6g).

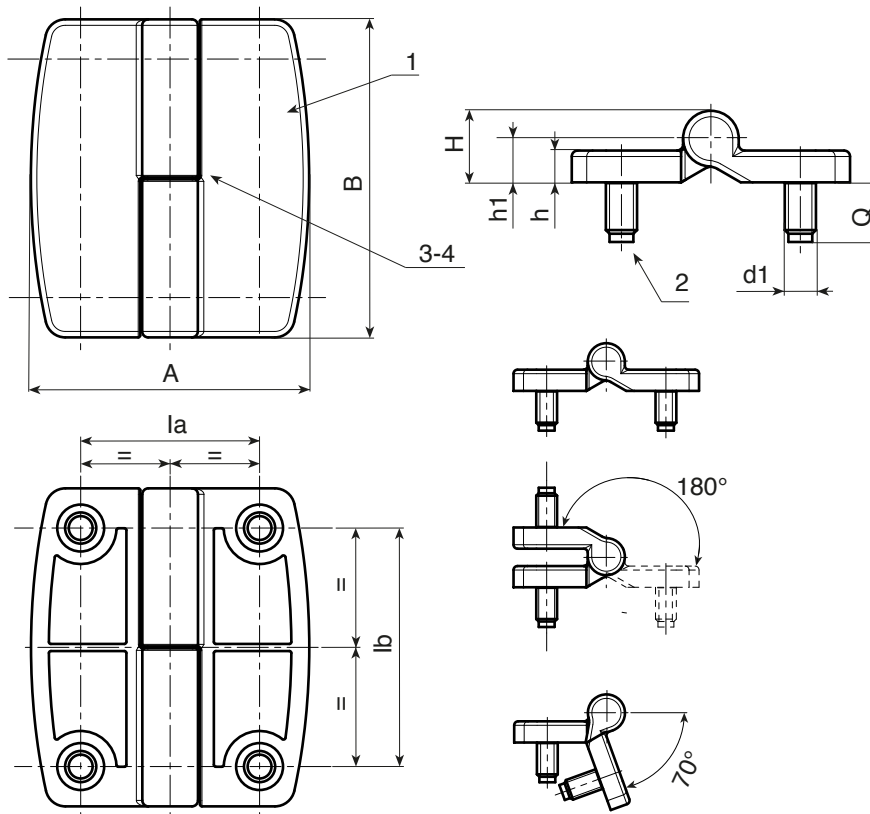
(3) Stainless steel (Aisi 304) hinge pivot pin.

(4) Stainless steel (Aisi 304) separating washer inserted between the two knuckles.



SPECIAL REQUESTS:

- None.



Black coated version code **01**

art.	la	lb	A	B	h	H	h1	d1 ^{6g}	Q	△ g
O500045.ZM08X1401	45	60	70	80	8	18	11	M08	14	281

Galvanised version code **Z**

art.	la	lb	A	B	h	H	h1	d1 ^{6g}	Q	△ g
O500045.ZM08X14Z	45	60	70	80	8	18	11	M08	14	281