

O515 NEW



BASIC PUNCHED STEEL HINGE WITH THROUGH HOLES

Material:

(1) Steel punched and bent.

Surface finish:

Smooth.

Colour:

(01) Black epoxy powder coated,
(RAL 9011).

(Z) Standard blue galvanising.

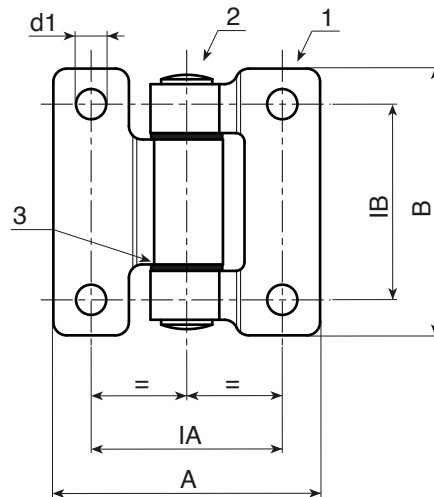
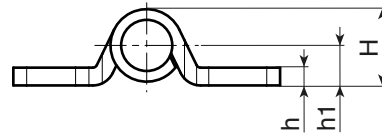
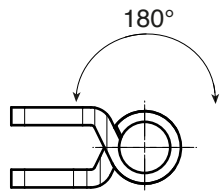
Inserts:

(2) Stainless steel (Aisi 304) hinge pivot pin.

(3) Natural PA6 separating washer inserted
between the two knuckles.

SPECIAL REQUESTS:

- None.



Black coated version code **01**

art.	la	lb	A	B	h	H	h1	d1	Δ g
O515044.VG06,501	43	44	60	60	4	17	9	6,5	143

Galvanised version code **Z**

art.	la	lb	A	B	h	H	h1	d1	Δ g
O515044.VG06,5Z	43	44	60	60	4	17	9	6,5	143